

# HIOKI

## FIELD Hi TEST PACK

# 3124

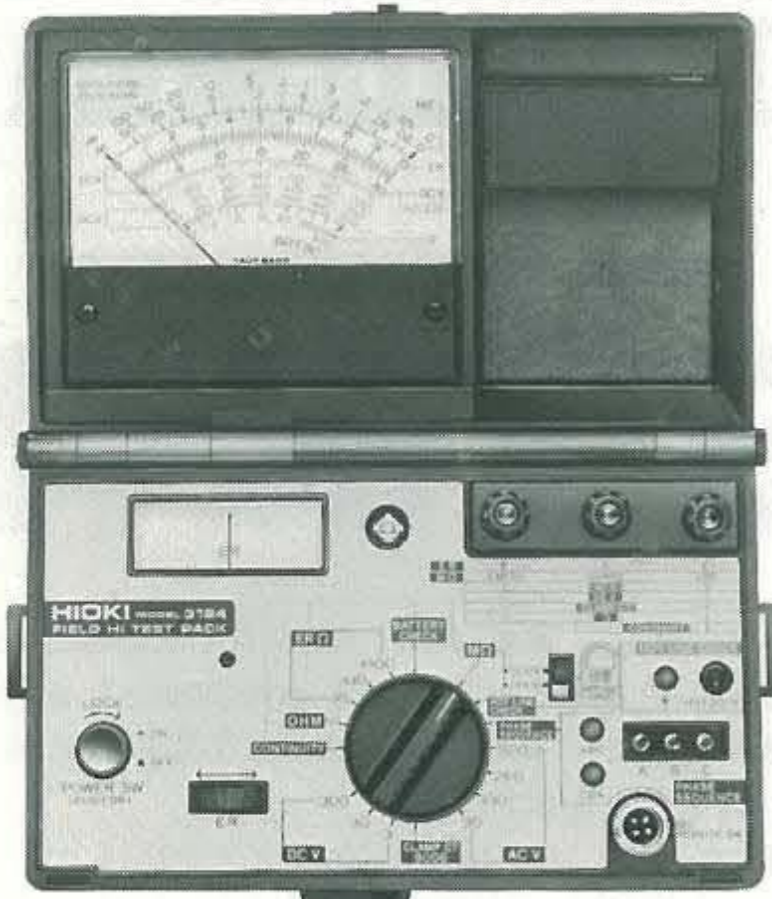
The 3124 is all that you need for installation and maintenance testing of equipment, appliances and wiring. It combines the following nine testers in a compact unit:

insulation and earth resistance meters, phase detector, hot line detector, clamp tester (AC ammeter), ohmmeter, continuity detector, AC voltmeter and DC voltmeter.

### A pack including insulation and earth resistance meters and seven other functions



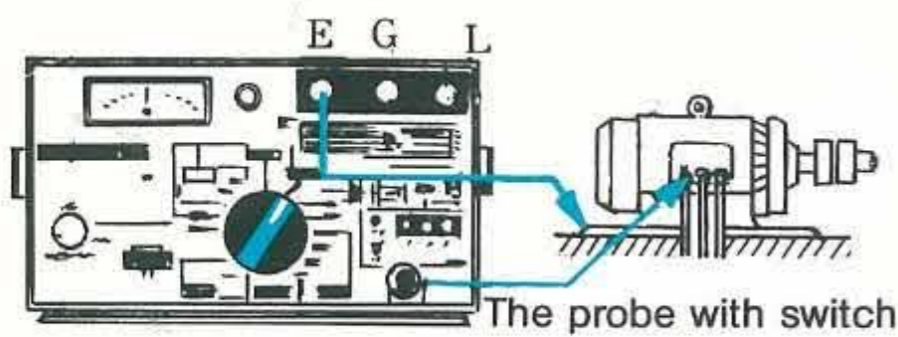
# A single tester that does the work of nine!



143H×230W×143D mm · 1.8kg

## 1 As an insulation resistance meter

Two ranges – the 250V/50MΩ and 500V/100MΩ – are provided. Accessories include the probe with switch.



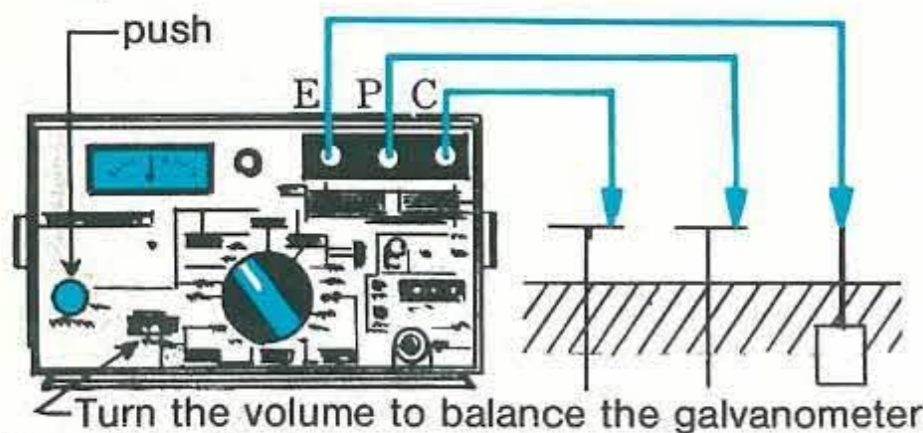
### Specifications

#### Measuring Ranges and Accuracy

250V/50MΩ  
 ±5% reading (0.05–20MΩ)  
 ±10% reading (Other than the above)  
 500V/100MΩ  
 ±5% reading (0.1–50MΩ)  
 ±10% reading (Other than the above)  
 Terminal Voltage at 1MΩ: 250·500V±90% or more

## 2 As an earth resistance meter

Provides accurate readings unaffected by disturbances such as earth voltage or auxiliary ground resistance, etc.

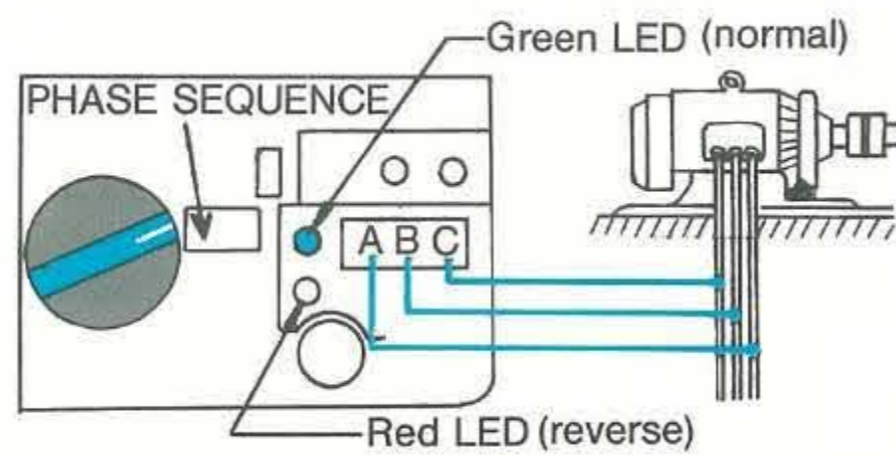


### Specifications

Measuring Ranges and Accuracy  
 10/100/1000Ω · ±3% of f.s.

## 3 As a phase detector

By glancing at the LEDs it is possible to see if phase is normal, reverse or if there is a phase lack.



### Specifications

Indication:  
 LED illumination (Green for normal, red for reverse and when there is a phase lack, no LED lights up.)  
 Operating Voltage:  
 70–450V AC

## 4 As a hot line detector

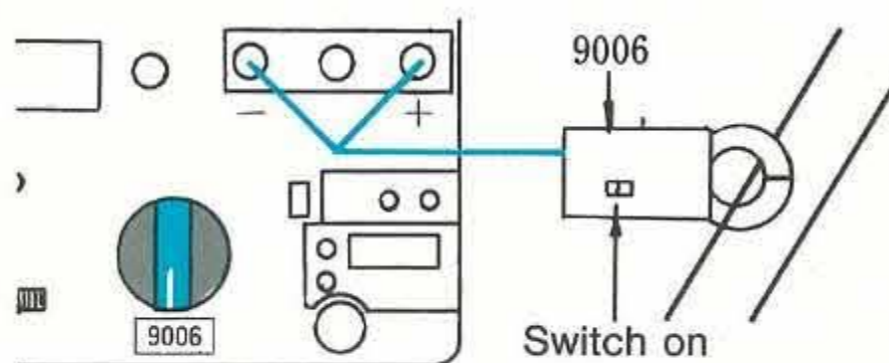
Indication of the presence of voltage is given by both light and sound.

### Specifications

Indication: With LED and buzzer  
 Line voltage for use: 80–300V AC

## 5 As an AC ammeter (Clamp-on type)

By using the accessory 9006 Clamp-on Current transducer, it is possible to measure AC current in a live line and since the 9006 indicates the effective value, it is easy to measure current even when there is distortion due to SCR, etc.



### Specifications

Measuring Ranges and Accuracy  
 3/10/30/100/300A · ±3% of f.s.

## 6 As a continuity tester

A buzzer sounds to indicate a broken line.

### Specifications

The buzzer sounds when resistance is less than about 100Ω.

## 7 As an ohmmeter

Graduated down to 0.2Ω, coil resistance, etc., can be accurately measured and there is no need for 0Ω adjustment.

### Specifications

Measuring Range and Accuracy  
 0–500Ω · ±3% of scale length  
 Open terminal voltage: 300mV

## 8 As an AC voltmeter

With the segmental scale a more accurate reading of commercial power voltage can be obtained than with conventional meters.

### Specifications

Measuring Ranges and Accuracy  
 0–30V (earth voltage measurement, etc.), ±3% of f.s.  
 70–130V/140–260V/280–520V, ±1.5% of f.s.

## 9 As a DC voltmeter

Can be used in checking battery voltage and DC power circuits.

### Specifications

Measuring Ranges and Accuracy  
 3/30/300V · ±3% of f.s.

### 3124-01 Complete Range of Accessories includes



- a 9046 Test leads
- b 9040 Earth resistance measuring leads
- c 9049 Auxiliary earth probes
- d 9006 Clamp-on Current Transducer
- e 9047 Connector for Phase Detector
- f 9027 MΩ probe with handy switch
- g Light for illumination
- h 1A spare fuse
- i Storage bag for accessories
- j Shoulder strap
- k 9050 Earthing Net

# HIOKI

HIOKI E.E. CORPORATION

HEAD OFFICE : P.O.Box 1, Sakaki, Nagano, 389-06 Japan  
 Tlx: 3327508 HIOKI J / Cable: HEWLOV, Ueda  
 Telephone: (02688)2-3030  
 TOKYO OFFICE: 2-23-24 Shiba Nakata, Kawaguchi, Saitama 333  
 Telephone: (0482)61-2401  
 HIOKI-RCC, INC.: 198 Route 206 South Somerville, N.J. 08876 U.S.A.  
 Telephone: (201)874-6484